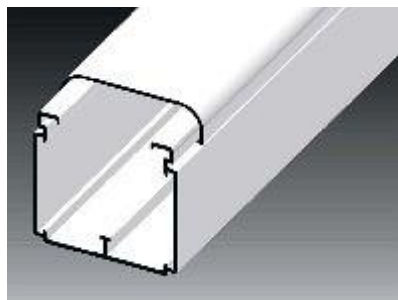


# EKE 60X60 HD - elegant wiring trunking



BAR code 8595057620766  
Type: Trunking  
Color: RAL 9003 (white)

Material:  
Hardened self-extinguishing polyvinylchloride (PVC)  
Protection Level: up to IP 30  
Impact resistance: 0,5 J  
Ambient temperature: T -5 – 60 °C

Length: 2 m  
Width: 60,0 mm  
Height: 60,0 mm  
Cross section: 2600 mm<sup>2</sup>

Usage:  
The trunkings can be used for any base material of flammability class A up to C3. They are resistant to aggressive and chemical environments.

Standard:  
CSN 37 0100, CSN 37 0001, IEC 1084-1, CSN EN 50 085-1

Note: Packaging in cardboard  
Package: 18 m  
Package weight : 13,5 kg